

IES215-2F

3 port 10/100M Ethernet+ 2 port 100M fiber unmanaged

Features

- 1.Support 3 port 10Base-T/100Base-TX Ethernet and 2 port 100Base-FX
- 2.Support IEEE802.3/802.3u store and forward
- 3.Support Ethernet 10/100Mself-adaption
- 4.12~48VDC wide voltage power supply input
- 5.No fan, low consumption design
- 6.IP40 protection, high strength metal shell, DIN rail mount
- 7.-40~75°C working temperature



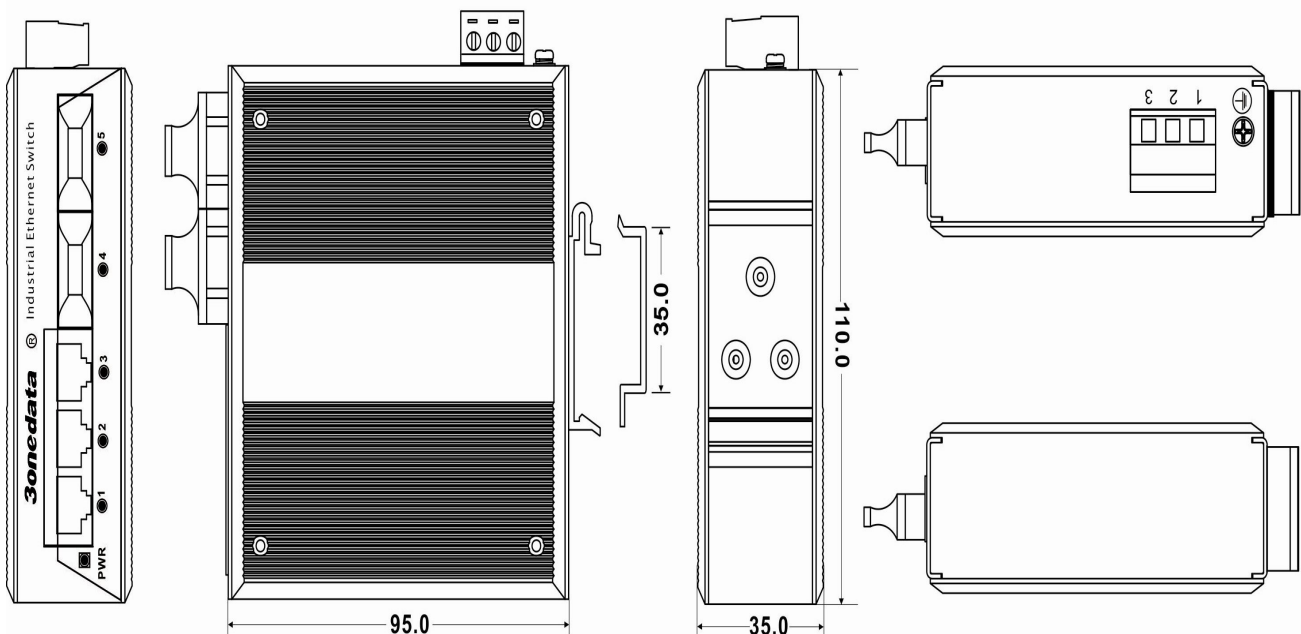
Introduction

IES215-2F is a type of unmanaged industrial Ethernet switch with 3 port 10Base-T/100Base-TX Ethernet and 2 port 100Base-FX, supports IEEE802.3, IEEE802.3u, IEEE802.3x standard, can provide economical solution for your network connection. IP40 grade protection ensures reliable work in terrible

environment. LED indicator is helpful to monitor and control the status of network connection. It complies with FCC, CE standard.-DIN rail installation and wide operating temperature (-40~75°C), can satisfied some kinds of industrial environment, can provide reliable and quickly solution for your Ethernet device.

Dimension and appearance

Unit (mm)





Specification

Technology:

Standard: IEEE802.3, IEEE802.3u

Interface:

Ethernet: 10/100Base-TX self-adaption, RJ45 port

Fiber: 100BaseFX(SC/ST optional)

Transfer distance

Twisted cable: 100m(CAT5/CAT5e)

Multi mode fiber: 1310nm,2Km

Single mode fiber: 1310nm, 20K, 1310nm, 40Km
1310nm, 60K, 1550nm, 80Km

Exchange attribute:

100M transmit speed: 148810pps

Transfer: Store and forward

System exchange bandwidth: 1 G

Buffer memory: 64Kbits

Support 2K MAC address table

LED indicator

Interface indicator: 1~5 (LINK/ACT)

Power supply indicator: PWR

Power supply

Input voltage: 24VDC(12~48VDC)

Terminal block: 3 bits 7.62mm terminal block

None load consumption: 2.0W@24VDC

Full load consumption: 2.6W@24VDC

Support inside over-current 4.0A protection

Support opposite connection protection

Mechanical

Shell: IP40, high strength iron shell.

Installation: DIN Rail

Dimension (W×H×D: 110 mm×95mm×35mm

Weight: 370g

Environmental

Operating Temperature: -45°C to 75°C

Storage Temperature: -45°C to 85°C

Relative Humidity: 10 to 95% (non-condensing)

Standard

EMI: FCC Part 15, CISPR (EN55022) class A

EMS: EN61000-4-2 (ESD), Level 4

EN61000-4-3(RS), Level 3

EN61000-4-4 (EFT), Level 4

EN61000-4-5 (Surge), Level 4

EN61000-4-6(CS), Level 3

EN61000-4-8(PFM), Level 5

Shock: IEC 60068-2-27

Free fall: IEC 60068-2-32

Vibration: IEC 60068-2-6

Warranty

Warranty time: 5 years

Certification

CE, FCC, RoHS, UL508(Pending)

Ordering information

Option model	Port			Power	
Standard model	Ethernet	Optic fiber port (SC/ST)			12~48VDC
		SM	SS	MM	
IES215	5	—	—	—	
IES215-1F	4	1			
IES215-2F	3	2			