

IES615-1F-2D(RS-485)

5 ports Industrial managed Ethernet switches with 2 ports RS485/422

Features

- 1.Support 4 ports 10/100Mbps Ethernet and 1 port 100M fiber port and 2 ports RS485/422
- 2.SW-Ring (recovery time < 20 ms at full load)
- 3.Support 2 port RS485/422 to Ethernet
- 4.Port-based VLAN, IEEE 802.1Q VLAN to ease network planning
- 5.Support IEEE802.1p_QOS
- 6.Support IGMP, Port Trunking and Port mirroring function
- 7.Support alarm output
- 8.Support WEB setting, east to management
- 9.Accord to Industrial 4 grades.
- 10.IP30 protect grade, high strength iron shell, DIN Rail installation.



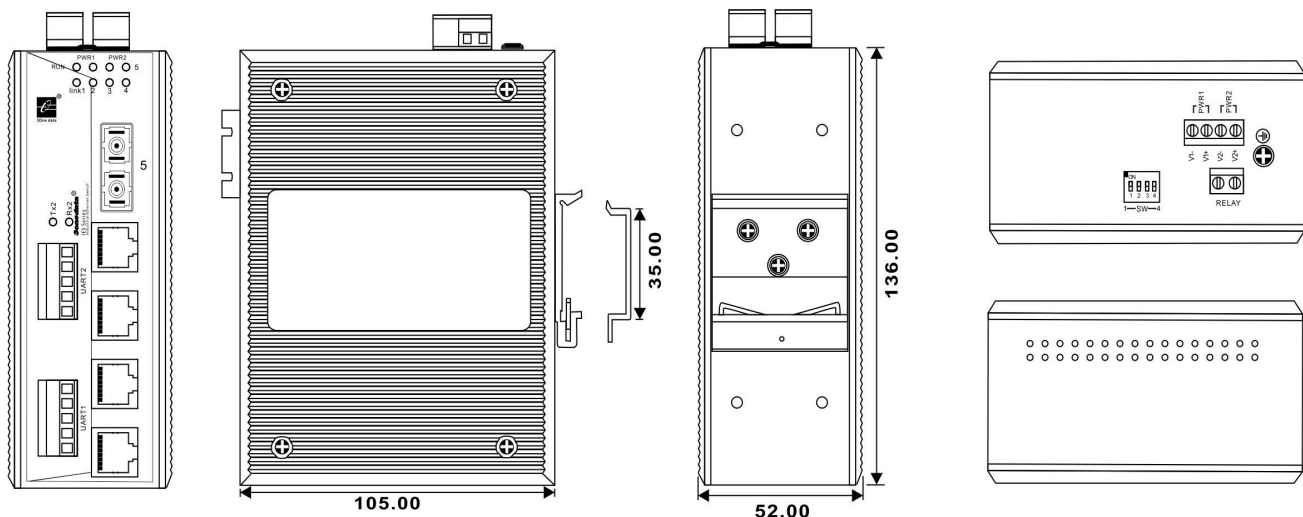
Introduction

IES615-1F-2D(RS-485) industrial Ethernet switches integrated serial device server function, it adopt SW-Ring redundant technology (Recovery time<20ms), users can set the redundant easily to increase network reliability, furthermore, IES615-1F-2D can support 2 ports RS485/422, AT command and alarm output, It adopted no fan, low power consumption design, IP30, corrugate high strength iron shell,

the performance is more steadily. It accorded with CE, FCC standard and Industrial 4 grades, DIN rail installation and wide operating temperature (-40~75C), it can satisfied some kinds of industrial environment, it can provide reliable and quickly solution for your Ethernet device.

Dimension and appearance

Unit(mm)



Specification

Technology:

Standard:

IEEE802.3, IEEE802.3u, IEEE802.3x

Flow control:

IEEE802.3x, back pressure control

Interface:

Fiber port: 100Base-FX, SC/ST optional

Single-mode: 20, 40, 60, 80, 120Km



Multi-mode: 2Km
Wavelength: 1310nm, 1550nm
Ethernet port: 10/100Base-TX, RJ45, full/half duplex
and MDI/MDI-X self-adaption

Alarm terminal block:

2 bits 7.62mm terminal block,
1 relay alarm output,
Electric load capacity:1A@30VDC
RS485/422: 5 bits terminal block

Exchange of attribute:

Transmission: store and forward
Bandwidth: 12G
Memory: 1Mbits
MAC address: 2K

Indicator:

Working: Run
Interface: Link1~5
Power supply: PWR1, PWR2
RS485/422 data: TX, RX

Power supply:

Power input: 24VDC (12~48VDC)
Terminal block: 3 bits 7.62mm terminal block
No-load power consumption: 1.7W@24VDC
Full-load power consumption: 2.4W@24VDC
Support redundant protection
Support over-current protection

Support reverse connection protection

Environmental

Operating Temperature: -40 to 75°C
Storage Temperature: -45°C to 85°C
Ambient Relative Humidity:
10 to 95% (non-condensing)

Mechanical:

Shell: IP30, high strength iron shell.
Installation: DIN Rail
Weight: 900g
Dimension(W×H×D): 136 mm×52mm×105mm

Standard:

EMI: FCC Part 15, CISPR (EN55022) class A
EMS: EN61000-4-2 (ESD), Level 4
EN61000-4-3 (RS), Level 3
EN61000-4-4 (EFT), Level 4
EN61000-4-5 (Surge), Level 4
EN61000-4-6 (CS), Level 3
EN61000-4-8, Level 5
Shock: IEC 60068-2-27
Free fall: IEC 60068-2-32
Vibration: IEC 60068-2-6

Warranty:

Warranty time: 5 years

Certification:

CE, FCC, RoHS, PAL, UL508(pending)

Ordering information

Option model	Port				Power
Standard model	100M Ethernet	100M fiber (SC/ST/FC)	Serial port		12~48VDC
		SM or MM	RS-232	RS-485/RS-422	
IES615-1F-2D(RS-485)	4	1	—	2	
IES615-1F-2D(RS-232)	4	1	2	—	
IES615-2F-2D(RS-232)	3	2	2	—	
IES615-2F-2D(RS-485)	3	2	—	2	
IES615-2D(RS-485)	5	—	—	2	
IES615-2D(RS-232)	5	—	2	—	

