

IES618-2F

6+2 ports 10/100M Managed Industrial Ethernet Switch

Features

1. Support 6 RJ45 Ethernet ports and 2 Fiber ports.
2. SW-Ring(recovery time < 20 ms at full load)
3. Port-based VLAN, IEEE 802.1Q VLAN to ease network planning
4. Support IEEE802.1p_QOS
5. Support IGMP, Port Trunking and Port mirroring function
6. Support WEB management, easy- to-use
7. Design for industrial Level 4 standard
8. IP 30 protection, rugged high-strength metal case,
9. DIN-Rail or panel mounting



Introduction

IES618-2F is a type of WEB managed redundant Industrial Ethernet Switch, which support 6 10/100M Ethernet ports(RJ45), 2 100M fiber ports, double power supply input and 1 route repay output. It supports SW-Ring patented technology (self-recovery time <20ms) to enhance the reliability of the network. What's more, IES618-2F

supports several network managements, such as 802.1QVLAN, QoS, IGMP, port trunking and port mirroring. It has got the certification of CE, FCC and Industrial level 4 standard. It can meet the requirement of each type of industrial environment with the temperature range of -40 to 75 °C.

Specification

Technology:

Standard: IEEE802.3、IEEE802.3u、IEEE802.3x、IEEE802.1Q、IEEE802.1p、IEEE802.1D、IEEE802.1W

Protocol: SW-Ring、STP/RSTP、QoS、VLAN、IGMP v1/v2/v3、SNMP v1/v2c、Telnet

Flow control: IEEE802.3x, back pressure control

Interface:

Fiber port: 100Base-FX, SC/ST optional.

Ethernet port : 10Base-T/100Base-TX , RJ45, auto flow control, full/half duplex mode and MDI/MDI-X auto-connection

Console port: Based serial network management (RS-232), RJ45

Alarm output interface: 1 relay alarm output, 2 terminal blocks

Current carrying capability: 1A@30VDC

Processing Type: Store and Forward

System exchange bandwidth: 2.0G

Cache: 1Mbits

MAC address: 2K

Priority queue: 4

VLAN No.: 256

VLAN ID: 1~4094

IGMP Groups: 256

Indicator:

Run indicator: Run

Interface indicator: Link1~8

Power indicator: PWR1、PWR2

Alarm indicator: Alarm

Transmission Distance:

Double-twisted cable: 100M(standard CAT5/CAT5e cable)

Multi-mode fiber : 850nm, 2Km; 1310nm, 5Km

Single-mode fiber: 1310nm, 20Km; 1310nm, 40Km
1310nm, 60Km; 1550nm, 80Km

Power Supply:

Voltage input: 24VDC (12~48VDC)

Terminal Blocks: 4 cores 7.62mm terminal blocks

No-load power: 3.0W@24VDC

Full load power: 4.7W@24VDC

Support redundant protection

Support reverse polarity protection

Support overload current protection

Environment:

Operating Temperature: -40~75°C

Storage Temperature: -40~85°C

Relative Humidity: 10 to 95% (non-condensing)

Mechanical Structure:

Shell: IP30 protection, metal case

Installation: DIN-rail mounting

Weight: 800g

Dimension (W×H×D): 136 mm×52mm×105mm

Approvals

EMI: FCC Part 15, CISPR (EN55022) class A

EMS: EN61000-4-2 (ESD), Level 4

EN61000-4-3 (RS), Level 3

EN61000-4-4 (EFT), Level 4

EN61000-4-5 (Surge), Level 4

EN61000-4-6 (CS), Level 4

EN61000-4-8, Level 5

Shock: IEC60068-2-27

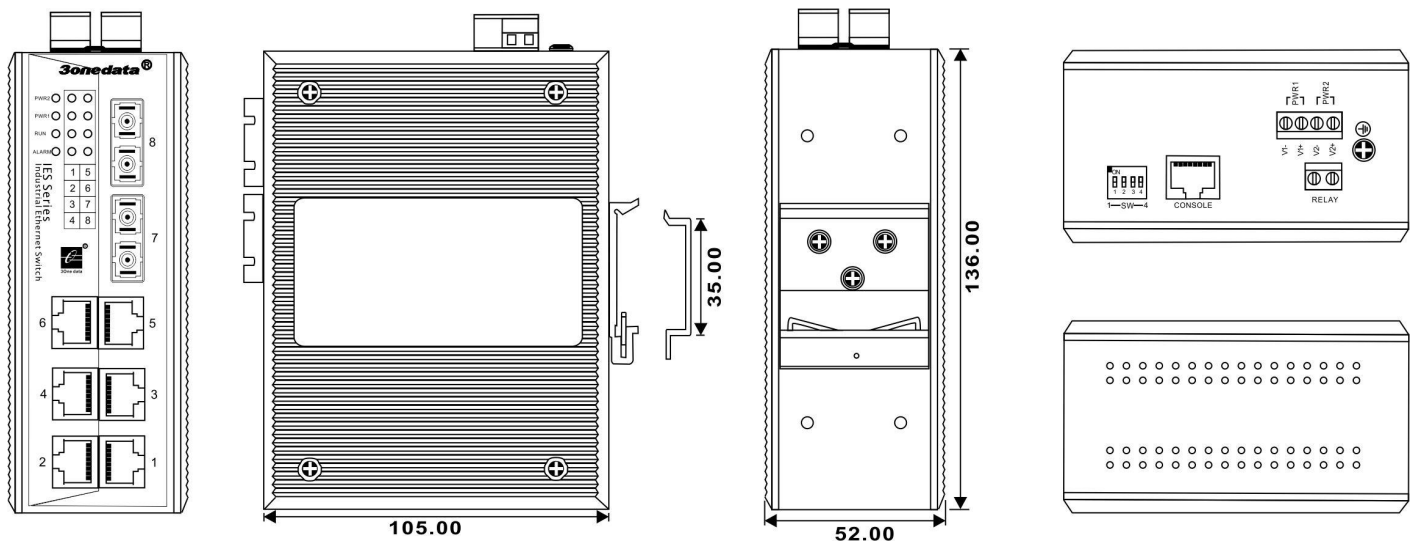
Free Fall: IEC 60068-2-32

Vibration: IEC60068-2-6

Warranty: 5 years

CE, FCC, RoHS, PAL, UL508

Dimension



Ordering Information

Model	Interface				Voltage Range
	100M TP port	100M Fiber port (SC/ST/FC)			
		Single mode	Single mode, single fiber	Multi-mode	
IES618-2F	6	2	—	—	12~48VDC Support redundant protection
IES618-2F	6	—	2	—	
IES618-2F	6	—	—	2	