

IMC102B Series

2-port Industrial Ethernet Media Converter

Features

1. IEEE802.3/802.3u/802.3x, store and forward
2. Plug-and-play, easy to installation
3. 10/100M, F/H duplex, MDI/MDI-X auto negotiation
4. -40 to 75°C operating temperature range
5. Designed for industrial applications. IP30 protection, rugged high-strength metal case



Introduction

IMC102B is a speediness 10/100Base-TX Industrial Ethernet Media Converter, easy to connect server, repeater, switch, device to device, Can satisfy customers require for long distance, high speed, wide broadcast. Beside this, IMC102B supports electric working mode/rate setting.

IMC102B series support 2 TP ports and 1 fiber ports. TP(RJ45)

support 10/100Base-T(X), Full/Half duplex mode, and auto MDI/MDI-X connection; 100BaseFX supports single-/multi-mode, SC/ST connector, optional.

IMC102 adopts industry standard design, IP30 protection, rugged high-strength metal case, power supply input(12V ~ 48VDC), -40 to 75°C working temperature.

Specification

Technology

Standards: IEEE802.1 10Base-T,

IEEE802.3u 100Base-TX, IEEE802.3 100Base-FX

RJ45 port rate: 10/100BaseT(X) auto connection,

F/H duplex or force work mode,

and support MDI/MDI-X connection

Fiber Ports: 100BaseFX ports (SC/ST optional)

Single-mode: 20, 40,60, 80, 120Km,optional

Multi-mode: 2Km

Wavelength: 850nm, 1310nm, 1550nm

Typical 100Base-FX:

Multi-mode: 155Mbps, 1310nm, 2Km,

average output \geq -18dBm, sensitivity \leq -35dBm

Single-mode: 155Mbps, 1310nm, 20Km,

average output \geq -12dBm, sensitivity \leq -36dBm

Power

Input Voltage: 24VDC (12VDC~48VDC)

Opposite connection protection

Connector: 3 bit 7.62mm terminal block

No load consumption: 1.2W@24VDC

Full load consumption: 1.536W@24VDC

Indicator

Port indicator: 1~3 (LINK/ACT)

Power indicator: PWR

Mechanical

Dimensions: 110mm×35mm×95mm (H×W×D)

Casing: IP40 protection, Metal case

Weight: 346g

Environmental

Operating Temperature: -40 to 75°C

Storage Temperature: -45 to 85 °C

Ambient Relative Humidity: 10% to 95% (non-condensing)

Approvals

EMI: FCC Part 15, CISPR (EN55022) class A

EMS: EN61000-4-2(ESD), level 4

EN61000-4-3(RS), level 4

EN61000-4-4(EFT), level 4

EN61000-4-5 (Surge), level 4

EN61000-4-6 (CS), level 4

EN61000-4-8, level 4

EN61000-4-11, level 4

Shock: IEC 60068-2-27 PASS

Free Fall: IEC 60068-2-32 PASS

Vibration: IEC 60068-2-6 PASS

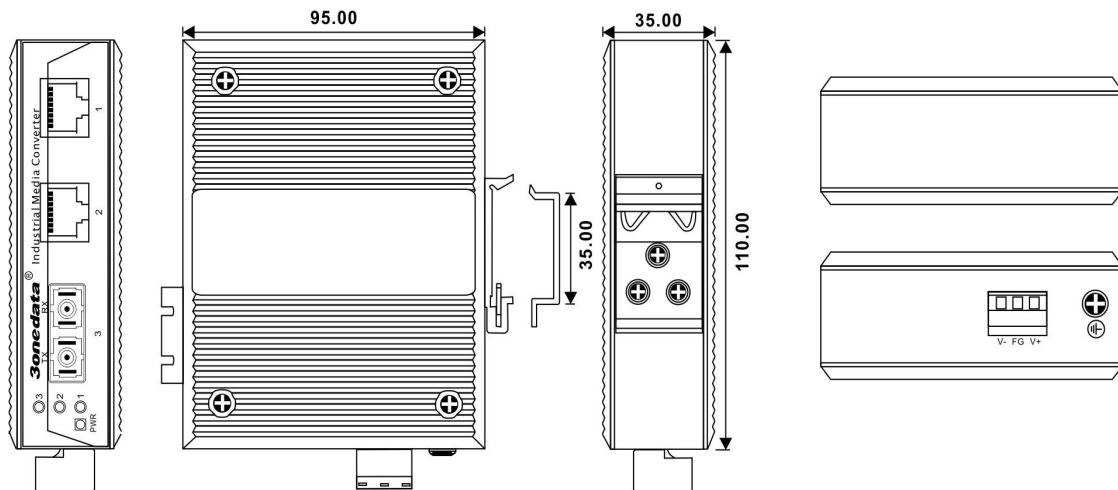
Warranty: 5 years

Packing List

1. Industrial Media Converter IMC102B series (plus terminal block)×1
2. User manual ×1
3. DIN-Rail fittings ×1
4. Warranty card x1

Dimension

Unit(mm)



Ordering Information

Model NO.	Description
IMC102B-M	Multi-mode, 2Km, 12~48VDC, SC/ST optional
IMC102B-S/20	Single-mode, 20Km, 12~48VDC, SC/ST optional
IMC102B-S/40	Single-mode, 40Km, 12~48VDC, SC/ST optional
IMC102B-S/60	Single-mode, 60Km, 12~48VDC, SC/ST optional
IMC102B-S/80	Single-mode, 80Km, 12~48VDC, SC/ST optional
IMC102B-S/100	Single-mode, 100Km, 12~48VDC, SC/ST optional
IMC102B-S/120	Single-mode, 120Km, 12~48VDC, SC/ST optional
IMC102B-SS/20	Single-mode, single fiber, 20Km, 12~48VDC, SC/ST optional
IMC102B-SS/40	Single-mode, single fiber, 40Km, 12~48VDC, SC/ST optional
IMC102B-SS/60	Single-mode, single fiber, 60Km, 12~48VDC, SC/ST optional
IMC102B-SS/80	Single-mode, single fiber, 80Km, 12~48VDC, SC/ST optional